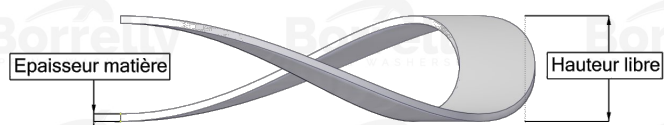
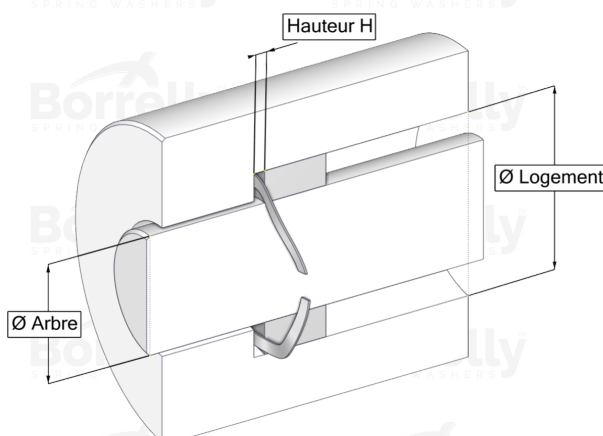
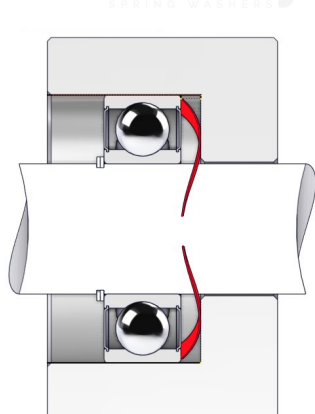


BORRELLY RONDELLES ONDULÉES



TECHNICAL SHEET STANDARD RANGE SINGLE TURN GAP 17-7PH STAINLESS STEEL FOR BEARING

REFERENCE BORRELLY	OU37S
Outer diameter of the bearing (mm)	37
Borrelly part code	RD0373U126045168
Material	Stainless steel 17-7 Ph 1.4568
Standard references for the bearing mounting on outer ring	6301
Operates in Bore Ø min (for application other than bearing preload) (mm)	37.00
Clears Shaft Ø max (for application other than bearing preload) (mm)	31.2
Approximate wire section (mm)	2,6 x 0,45
Number of waves	3
Approximate free height (mm)	5.2
Recommended installation height (mm)	2.00
Approximate spring rate (N/mm)	32