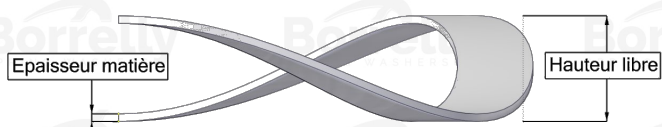
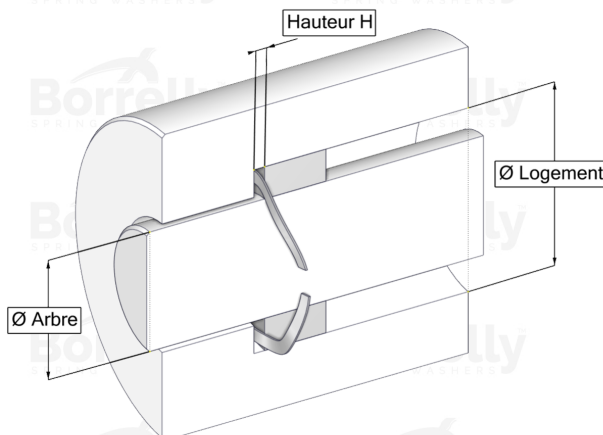


BORRELLY RONDELLES ONDULÉES



TECHNICAL SHEET STANDARD RANGE SINGLE TURN GAP 17-7PH STAINLESS STEEL FOR BEARING

REFERENCE BORRELLY	OU32S
Outer diameter of the bearing (mm)	32
Borrelly part code	RD0323U126045168
Material	Stainless steel 17-7 Ph 1.4568
Standard references for the bearing mounting on outer ring	6002 6201
Operates in Bore Ø min (for application other than bearing preload) (mm)	32.00
Clears Shaft Ø max (for application other than bearing preload) (mm)	26.2
Approximate wire section (mm)	2,6 x 0,45
Number of waves	3
Approximate free height (mm)	3.8
Recommended installation height (mm)	2.00
Approximate spring rate (N/mm)	51