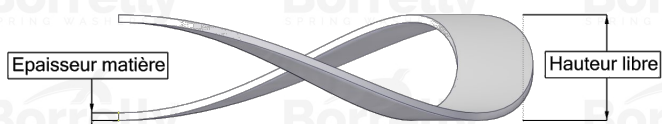
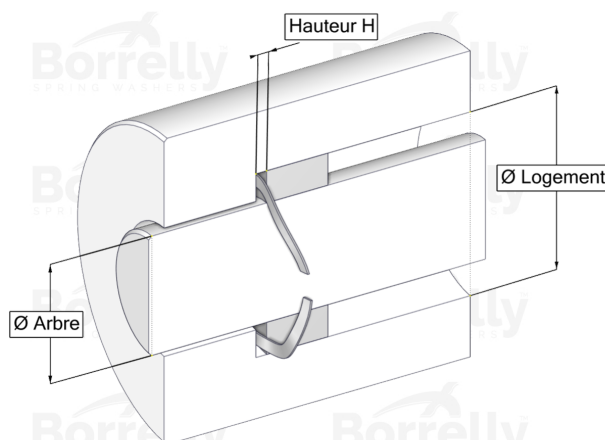
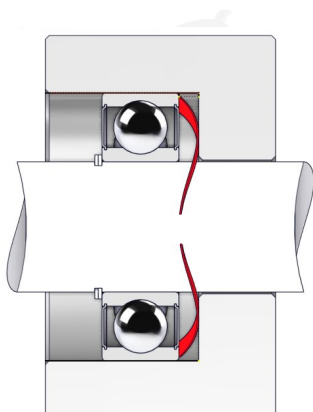


BORRELLY ONDUFIL WAVE SPRINGS



TECHNICAL SHEET STANDARD RANGE SINGLE TURN GAP 17-7PH STAINLESS STEEL FOR BEARING

REFERENCE BORRELLY	OU22S
Outer diameter of the bearing (mm)	22
Borrelly part code	RD0223U124030168
Material	Stainless steel 17-7 Ph 1.4568
Standard references for the bearing mounting on outer ring	EL8-608 R7-627
Operates in Bore Ø min (for application other than bearing preload) (mm)	22.00
Clears Shaft Ø max (for application other than bearing preload) (mm)	16.8
Approximate wire section (mm)	2,4 x 0,30
Number of waves	3
Approximate free height (mm)	2.8
Recommended installation height (mm)	1.45
Approximate spring rate (N/mm)	43