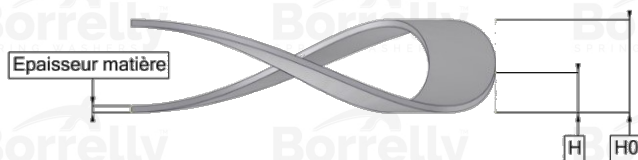
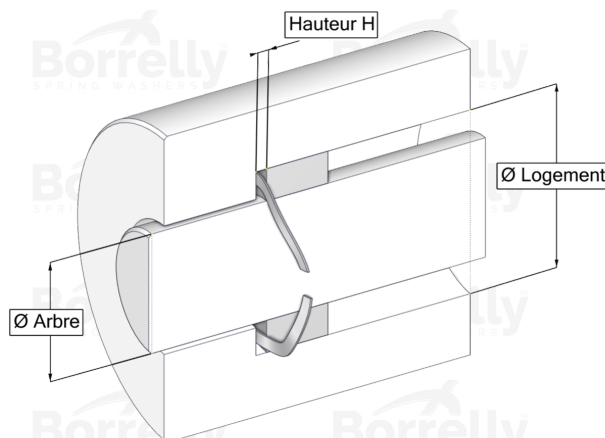
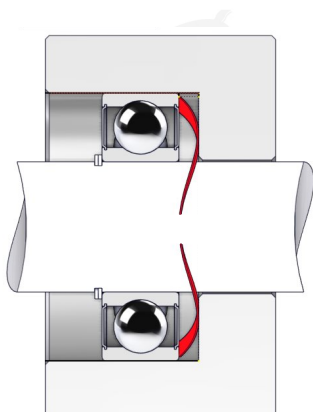


BORRELLY ONDUFIL WAVE SPRINGS



TECHNICAL SHEET PRECISION RANGE SINGLE TURN GAP C75 TYPE STEEL FOR BEARING

REFERENCE BORRELLY	OUP120
Outer diameter of the bearing (mm)	120
Borrelly part code	RP1205U160080XT
Material	Carbon Steel type C75
Standard references for the bearing mounting on outer ring	6213 6311 6409
Operates in Bore Ø min (for application other than bearing preload) (mm)	120
Clears Shaft Ø max (for application other than bearing preload) (mm)	107.0
Approximate wire section (mm)	6,0 x 0,80
Number of waves	5
Approximate free height H0 (mm)	6.6
Working height H1 (mm)	3.20
Load P1 ±15% (N)	334