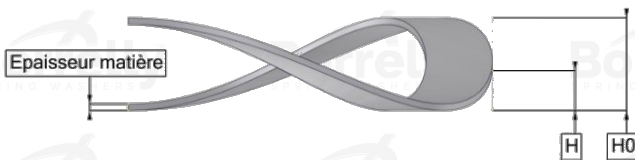
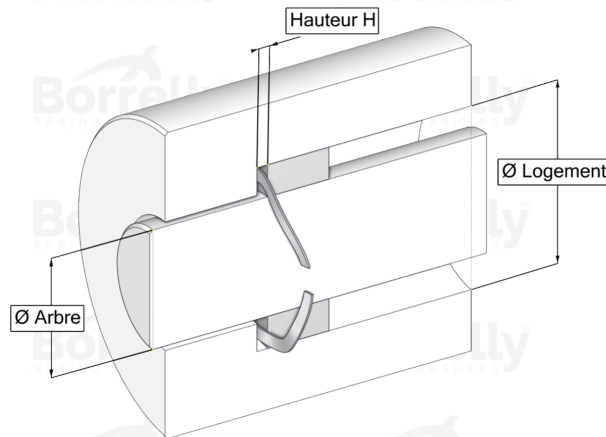
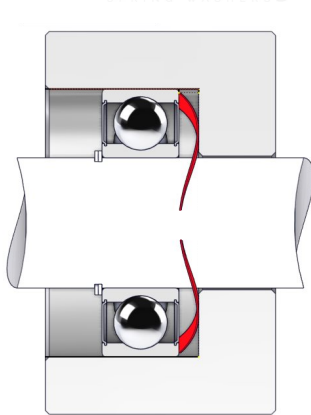


BORRELLY RONDELLES ONDULÉES



TECHNICAL SHEET PRECISION RANGE SINGLE TURN GAP C75 TYPE STEEL FOR BEARING

REFERENCE BORRELLY	OUP115
Outer diameter of the bearing (mm)	115
Borrelly part code	RP1155U160080XT
Material	Carbon Steel type C75
Standard references for the bearing mounting on outer ring	60015 6015 61818
Operates in Bore Ø min (for application other than bearing preload) (mm)	115
Clears Shaft Ø max (for application other than bearing preload) (mm)	102.0
Approximate wire section (mm)	6,0 x 0,80
Number of waves	5
Approximate free height H0 (mm)	6.1
Working height H1 (mm)	3.20
Load P1 ±15% (N)	324