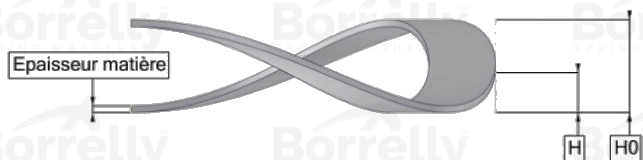
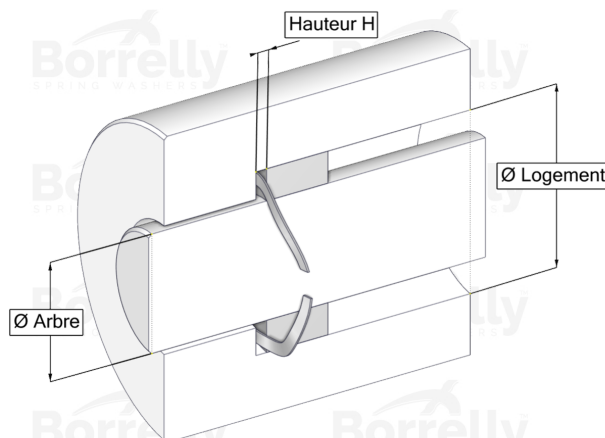
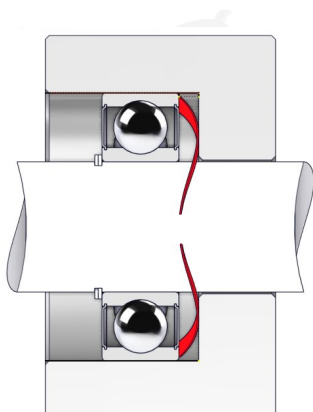


# BORRELLY ONDUFIL WAVE SPRINGS



## TECHNICAL SHEET PRECISION RANGE SINGLE TURN GAP C75 TYPE STEEL FOR BEARING

REFERENCE BORRELLY	OUP90
Outer diameter of the bearing (mm)	90
Borrelly part code	RP0904U160080XT
Material	Carbon Steel type C75
Standard references for the bearing mounting on outer ring	6011 6210 6308 6406
Operates in Bore Ø min (for application other than bearing preload) (mm)	90
Clears Shaft Ø max (for application other than bearing preload) (mm)	77.0
Approximate wire section (mm)	6,0 x 0,80
Number of waves	4
Approximate free height H0 (mm)	6.0
Working height H1 (mm)	2.80
Load P1 ±15% (N)	249