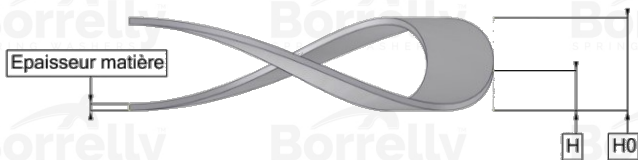
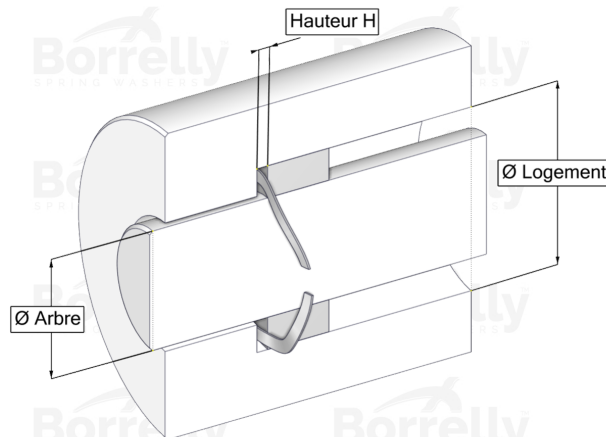
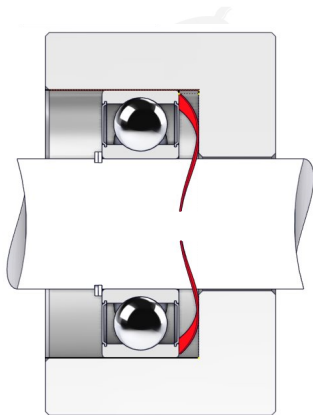


# BORRELLY ONDUFIL WAVE SPRINGS



## TECHNICAL SHEET PRECISION RANGE SINGLE TURN GAP C75 TYPE STEEL FOR BEARING

| REFERENCE BORRELLY                                                       | OUP35                 |
|--------------------------------------------------------------------------|-----------------------|
| Outer diameter of the bearing (mm)                                       | 35                    |
| Borrelly part code                                                       | RP0353U126045XT       |
| Material                                                                 | Carbon Steel type C75 |
| Standard references for the bearing mounting on outer ring               | 6003 6202 6300        |
| Operates in Bore Ø min (for application other than bearing preload) (mm) | 35                    |
| Clears Shaft Ø max (for application other than bearing preload) (mm)     | 29.2                  |
| Approximate wire section (mm)                                            | 2,6 x 0,45            |
| Number of waves                                                          | 3                     |
| Approximate free height H0 (mm)                                          | 4.7                   |
| Working height H1 (mm)                                                   | 2.00                  |
| Load P1 ±15% (N)                                                         | 100                   |