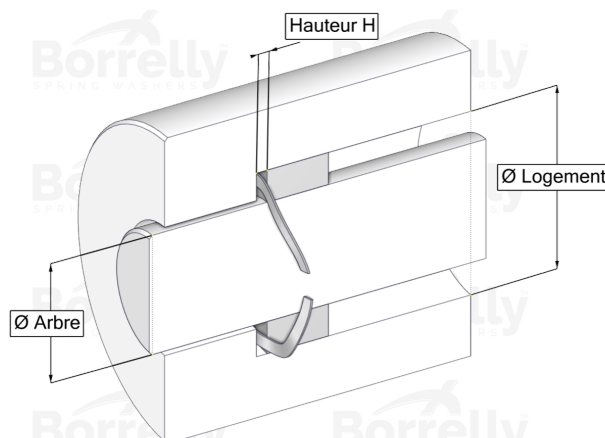
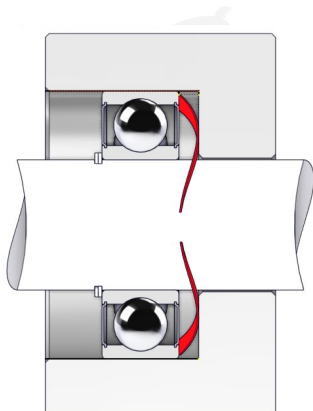


BORRELLY ONDUFIL WAVE SPRINGS



TECHNICAL SHEET STANDARD RANGE SINGLE TURN GAP C75 TYPE STEEL FOR BEARING

REFERENCE BORRELLY	OU115
Outer diameter of the bearing (mm)	115
Borrelly part code	RD1155U160080XT
Material	Carbon Steel type C75
Standard references for the bearing mounting on outer ring	60015 6015 61818
Operates in Bore Ø min (for application other than bearing preload) (mm)	115
Clears Shaft Ø max (for application other than bearing preload) (mm)	102.0
Approximate wire section (mm)	6,0 x 0,80
Number of waves	5
Approximate free height (mm)	6.1
Recommended installation height (mm)	3.20
Approximate spring rate (N/mm)	112