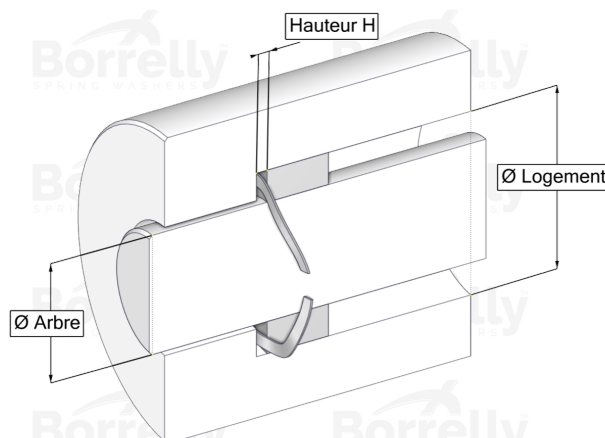
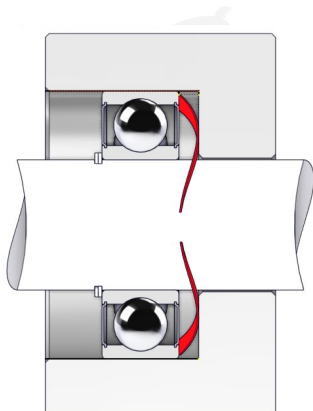


BORRELLY ONDUFIL WAVE SPRINGS



TECHNICAL SHEET STANDARD RANGE SINGLE TURN GAP C75 TYPE STEEL FOR BEARING

| REFERENCE BORRELLY | OU105 |
|--|-----------------------|
| Outer diameter of the bearing (mm) | 105 |
| Borrelly part code | RD1055U160080XT |
| Material | Carbon Steel type C75 |
| Standard references for the bearing mounting on outer ring | 61915 |
| Operates in Bore Ø min (for application other than bearing preload) (mm) | 105 |
| Clears Shaft Ø max (for application other than bearing preload) (mm) | 92.0 |
| Approximate wire section (mm) | 6,0 x 0,80 |
| Number of waves | 5 |
| Approximate free height (mm) | 4.8 |
| Recommended installation height (mm) | 2.80 |
| Approximate spring rate (N/mm) | 146 |