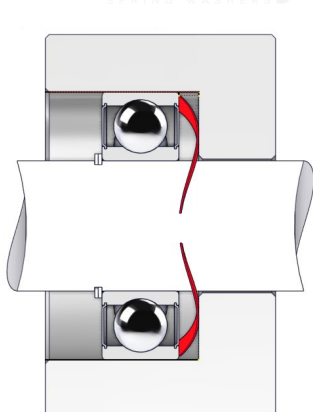


BORRELLY RONDELLES ONDULÉES



TECHNICAL SHEET STANDARD RANGE SINGLE TURN GAP C75 TYPE STEEL FOR BEARING

REFERENCE BORRELLY	OU70
Outer diameter of the bearing (mm)	70
Borrelly part code	RD0704U155070XT
Material	Carbon Steel type C75
Operates in Bore Ø min (for application other than bearing preload) (mm)	70
Clears Shaft Ø max (for application other than bearing preload) (mm)	58.4
Approximate wire section (mm)	5,5 x 0,70
Number of waves	4
Approximate free height (mm)	4.3
Recommended installation height (mm)	2.80
Approximate spring rate (N/mm)	115